

# CARDOX<sup>®</sup> Low Pressure Carbon Dioxide Playpipe, Hose Line



Effective: December 2019  
K-64-055 Rev AA

## FEATURES

- *UL Listed for LPCO<sub>2</sub> Service*
- *FM Approved for LPCO<sub>2</sub> Service*
- *Lightweight Materials*
- *Simple Squeeze Grip Operation*

## DESCRIPTION

The playpipe is a handheld assembly consisting of a manually operated valve and projection nozzle, which acts as the discharge outlet diffusing the flow of carbon dioxide. When not in use, the playpipe is secured in the wall bracket. When removed from the wall bracket, CO<sub>2</sub> will automatically flow from the storage unit through the reel and hose line to the playpipe. The operator aims the playpipe with one hand on the insulated grip and the other on the valve handle. Simply, squeezing the valve handle will discharge diffused liquid CO<sub>2</sub> at the fire.

## SPECIFICATIONS

Pressure, Max.: 300-psi (20 bar)  
Temperature, Min.: -20°F (-28°C)  
Temperature, Max.: 150°F (65°C)

## REFERENCED COMPONENTS

Description	Reference Data Sheet
Hose & Reel, Spooled	K-64-051
Bracket, Playpipe	K-64-056

## ORDERING INFORMATION

Description	Part Number	Application
Playpipe Assembly w/Code 23 Orifice	10370171	Liquid CO <sub>2</sub> supply line overall length < 200-ft
Playpipe Assembly w/Code 20 Orifice	62-10370612-000	Liquid CO <sub>2</sub> supply line overall length > 200-ft

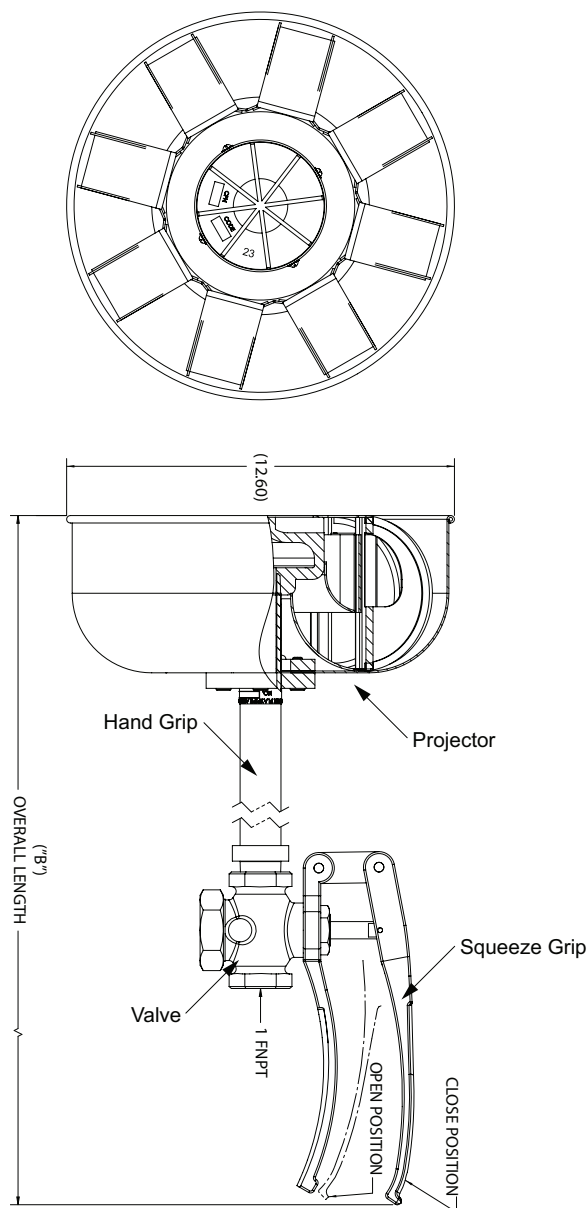


Figure 1. Playpipe, Hose Line

### EXPORT INFORMATION (USA)

Jurisdiction: EAR  
Classification: EAR99  
This document contains technical data subject to the EAR.

Cardox is a registered trademark of Kidde-Fenwal, Inc., or its parents, subsidiaries, or affiliates. All trademarks are the property of their respective owners. ©2019 Kidde-Fenwal, Inc.

This literature is provided for informational purposes only. KIDDE-FENWAL, INC. believes this data to be accurate, but it is published and presented without any guarantee or warranty whatsoever. KIDDE-FENWAL, INC. assumes no responsibility for the product's suitability for a particular application. The fire suppression system design, installation, maintenance, service and troubleshooting must be performed by trained, authorized Kidde Fire Systems distributors for the product to work correctly. If you need more information on this product, or if you have a particular problem or question, contact KIDDE-FENWAL, INC., Ashland, MA 01721 USA. Telephone: (508) 881-2000.

Kidde Fire Systems  
400 Main Street  
Ashland, MA 01721  
Ph: 508.881.2000  
Fax: 508.881.8920  
[kiddefiresystems.com](http://kiddefiresystems.com)